



pool spa sauna wellness

**Welldana A/S**  
Randersvej 6 · DK-6700 Esbjerg  
Phone +45 75 27 23 33  
Fax +45 75 27 21 11  
E-mail: info@welldana.com  
www.welldana.com

## Manual Welldana® Sand Filter.



Welldana A/S reserves the right to make product changes without any notice.  
Copyright. Welldana A/S

Edition 1.1 02-2020.

Language: GB. 

## Congratulations with your new Image® Sand Filter.

Please read this manual carefully before installing and operating the Image® Sand Filter.  
When receiving the Image® Sand Filter, please check for transport damage immediately.

### Table of contents:

1. Technical data.
2. Installation.
3. Maintenance.
4. Warning.

### 1. Technical data.

<b>Welldana® Sandfilter.</b>							
<b>Top mounted</b>	Diameter in mm.	Height in mm.	Filter areal in m <sup>2</sup>	Max flow in m <sup>3</sup>	AFM/Sand in Kg.	Connection adapter	Sand size
45-151400	400	720	0,11	6,3	42/50	50mm.	0,4-0,8
45-151500	530	830	0,2	11,5	84/100	50mm.	0,4-0,8
45-151650	635	950	0,3	16,2	126/150	50mm.	0,4-0,8
45-151800	800	1140	0,5	25	294/350	63mm.	0,4-0,8
<b>Side mounted</b>							
45-162500	530	770	0,2	10,5	84/100	50mm.	0,4-0,8
45-161650	635	848	0,3	14,5	126/150	50mm.	0,4-0,8
45-160800	800	1020	0,5	25	294/350	63mm.	0,4-0,8
Max. Working pressure 2,5 kg/cm <sup>2</sup>							
Max. Working temperature 50 °C							
Pressure test 4,0 kg/cm <sup>2</sup>							
Manufactured in fiber glass and ABS							
The parcel includes 3 pcs. adaptors 1½" x 50mm. for the 6-way multi valve							
The parcel includes 3 pcs. adaptors 2" x 63mm. for the 6-way multi valve							

### 2. Installation.

- The sand filter must be placed non-freezing.
- The location must have a drain / waste system, which can cope with the water quantity when a backwash is carried out.
- If the pool is closed for the winter, must the filter be drained, by loosen the drainage screw in the bottom of the sand filter.
- Fill the sand filter up to ⅓ level with water. Fill the sand filter with the specified quantity of sand.
- Please use the plastic sand protection hood.
- The water flow in m<sup>3</sup>/hour on the sand filter must not be exceeded.

#### 6-way multi valve:

- A. **Pump** = Input to the sand filter from the filter pump.
- B. **Return** = Output from the sand filter to the pool or spa.
- C. **Waste** = Output from the sand filter to drain / waste.

Please see pipe connection Fig 1.

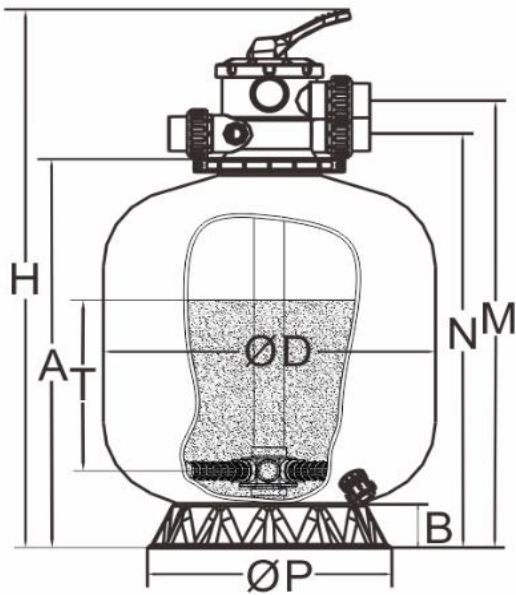
#### 6-way multi valve – top mounted filter.

- Assemble the sight glass and pressure guide onto the valve, and mount it on the sand filter using the washer and nuts.
- Important: remember to remove the plastic sand protection hood from the centre pipe.

#### 6-way multi valve – side mounted filter.

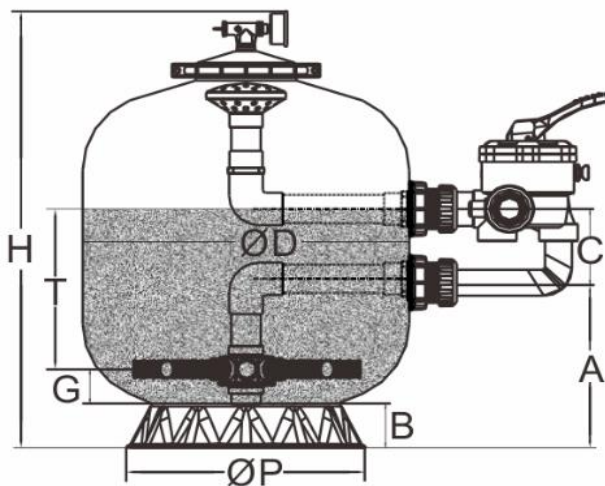
- Assemble the sight glass onto the valve.
- Assemble the pressure guide and air release valve onto the top lid.
- Glue the lower L pipe onto the valve. A small notch on the valve and pipe shows the direction of the pipe.
- **Important**, do **not** use Pevicol glue. Use only glue for ABS plastic.
- Fix the complete valve right away onto the sand filter. Hereby will small inaccuracies between the adaptors and valve pipes be absorbed in the glue joint.
- Lubricate the thread and O-rings with silicone pasta.
- Important: remember to remove the plastic sand protection hood from the top diffuser.

**Topmonteret Ø400-800**



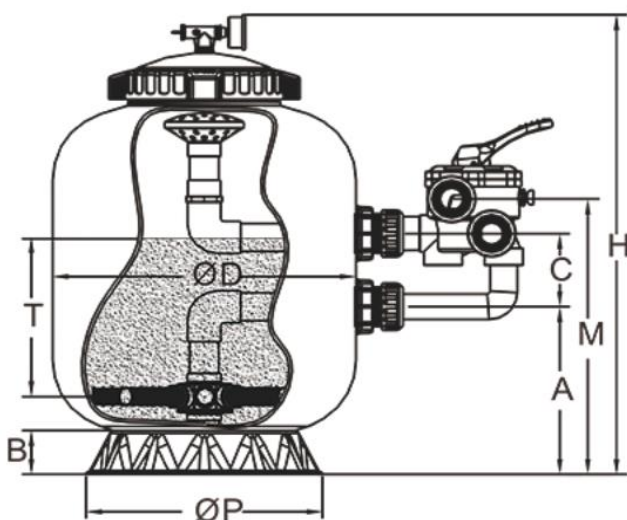
Model	400	500	650	800
ØD	400	533	634	800
H	765	870	965	1140
A	503	600	700	840
B	73	75	95	150
M	609	709	809	982
N	554	654	754	902
ØP	320	390	565	790
T	160	260	370	440

**Sidemonteret Ø500-650**



Model	500	650
ØD	530	635
H	712	810
A	280	310
B	75	95
C	125	125
ØP	390	565
T	280	300

**Sidemonteret Ø800**



Model	Ø800
ØD	800
H	1020
A	385
B	150
C	220
M	680
ØP	790
T	420

### Pipe connection Fig. 1.

- A. **Pump** = Input to the sand filter from the filter pump.
- B. **Return** = Output from the sand filter to the pool or spa.
- C. **Waste** = Output from the sand filter to drain / waste.



### 3. Maintenance.

The pressure gauge has a 0 – 3,5kg/cm<sup>2</sup> scale.

A typical installation gives a pressure over the sand filter between 0,8 and 1,3 kg/cm<sup>2</sup> (green and yellow)

Please back wash the sand filter frequently, especially if the pressure goes into or over the red scale area.

#### Position for the 6-way multi valve.

- |                   |  |
|-------------------|--|
| 4. Waste.         | The pool water filtrates. <b>(main position)</b>   |
| 6. Closed.        | The pool water goes directly to waste / drain.   |
| 2. Backwash.      | No circulation through the sand filter. Do not start the pump.<br>The pool water back wash the filter, and goes directly to the waste / drain.<br>Please see the sight glass, normally is the water clear after 60 – 90 sec. |
| 5. Recirculation. | The pool water circulates only through the multi valve.  |
| 3. Rinse.         | The pool water rinse away the last dirt, and goes directly to the waste / drain.<br>Normally is the rinse time about 20 – 60 sec. Please see the sight glass.  |

A standard back wash sequence of the sand filter is 1 – 2 – 3 – 1.

**Important:** The filter pump must be turned off every time the valve handle is moved to a new position. The handle has to be pushed down before it can be turned around.

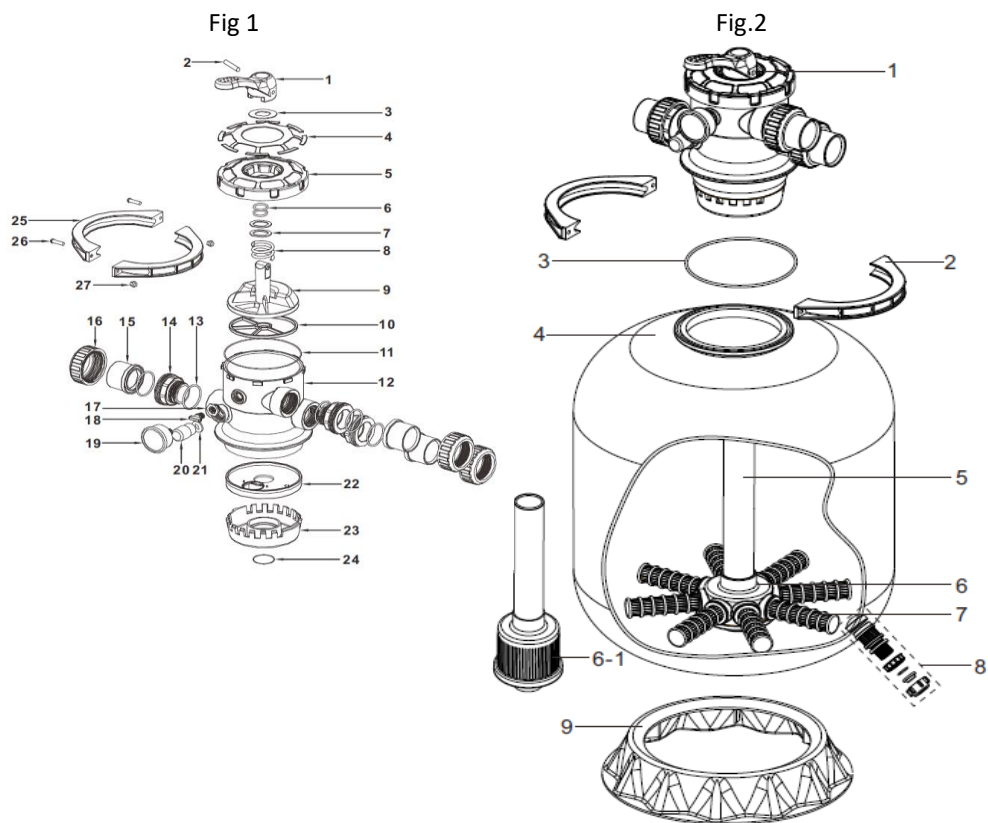
### 4. Warning.

Do **not** use Pevicol glue. Use only glue for ABS plastic.

The filter pump must be turned off every time the valve handle is moved to a new position.

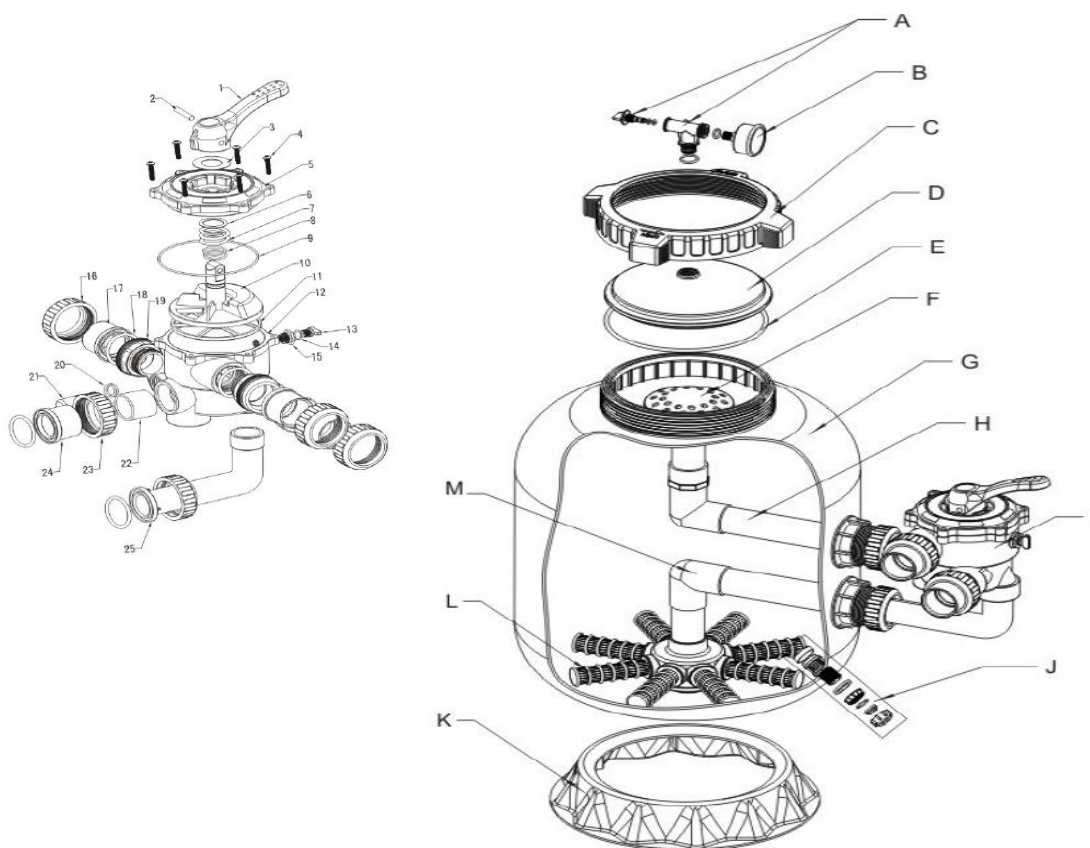
When a back wash sequence is taken place, please make sure, that chemical pumps, electrical heater ect. is turned off.

**Welldana Ø400-650 top**  
45-151400, 45-151500,45-151650



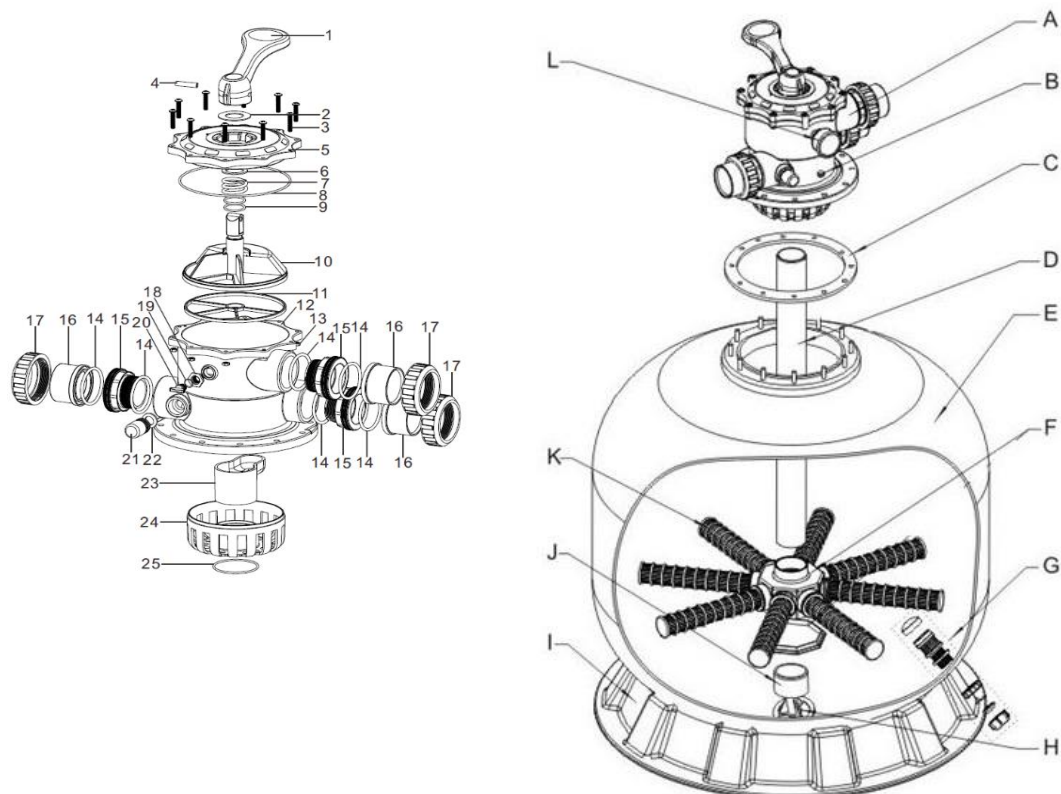
Tegningsnummer	Beskrivelse	Varenummer
	<b>Fig.2</b>	
	Multiportventil Komplet	43-130045
2	Klemring	49-151015
3	H-Pakning	49-151010
6	Lateral center + Support pipe	49-150004
7	Lateral Ø400-500	49-150010
7	Lateral Ø650	49-150026
8	Tømme ventil	49-150005
11	O-ring til ventillåg	49-100158
	<b>Fig.1</b>	
3	skive	49-150037
6	O-ring til Låg	49-150039
7	Plastskive	49-150041
8	Fjeder	49-150042
10	Stjernerpakning 1½"	49-150032
17	Adaptor m/O-ring til Manometer	49-150030
16-19	Komplet Adapter 1½" x 50mm.	49-150016
19	Manometer	49-150012
20	Skueglas	49-100172
21	Pakning til Skueglas	49-050044
24	O-ring til filterrør Ø50mm	49-150019
25	Klemring til Topventil	49-151015
26	Bolt	49-150043
27	møtrik	49-150044

**Reservedels tegning Welldanasandfilter Ø500-650 sidemonteret  
45-162500,45-161650**



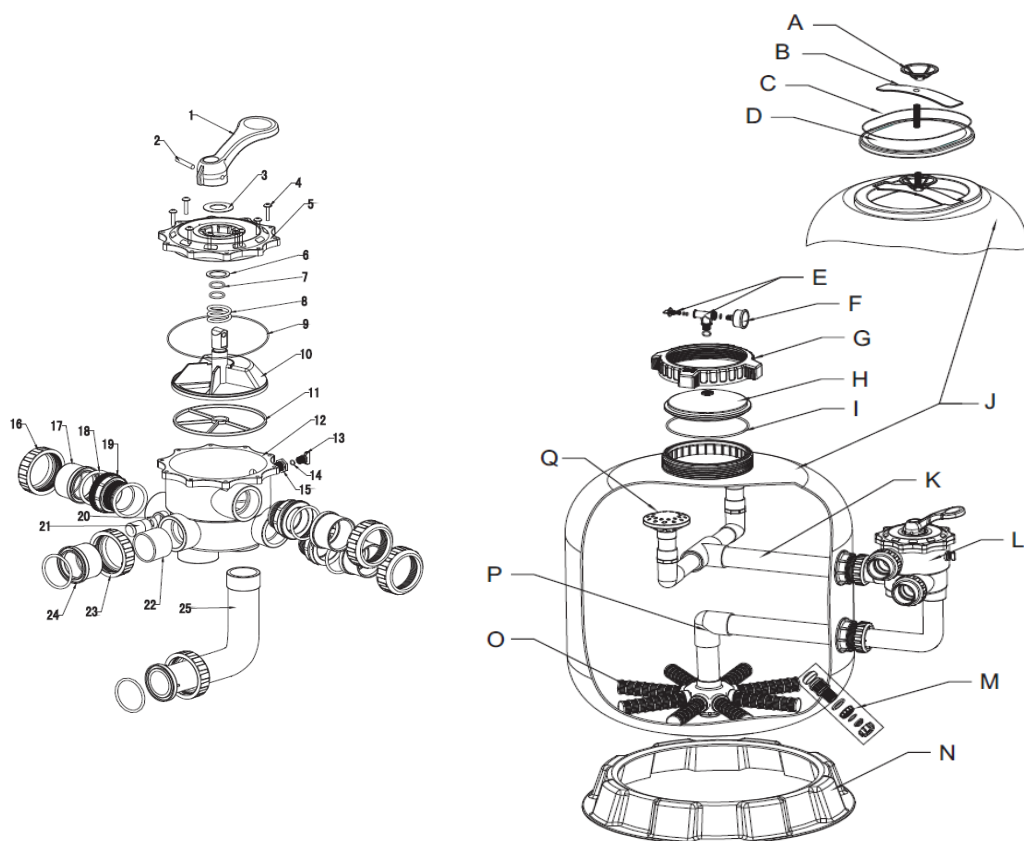
Tegningsnummer	Beskrivelse	Varenummer
A	Komplet Udluftning	49-150022
B	Manometer	49-150012
C	Spændering til låg	49-150023
D	Låg	49-150024
E	O-ring til låg	49-150025
I	Multiportventil komplet	49-160000
J	Tømmeventil til Ø500	49-150005
J	Tømmeventil Ø650	49-150005-1
K	Filterfod Ø500	49-150007
K	Filterfod Ø650	49-150008
K	Lateral Ø500	49-150010
L	Lateral Ø650	49-150026
M	Lateral center	49-150004
9	O-ring til Multiportventil m. skruer	49-150013
10	Ventilplade	49-150014
11	Stjernepakning	49-150015
13	Prop	49-150018
14	O-ring til prop	49-150017
16-19	Union med O-ring	49-150016
20	Pakning til skueglas	49-050044
21	Skueglas	49-100172
25	Vinkelrør inkl. omløber for ventil	49-150021

**Reservedels tegning Welldana Ø800mm Topmonteret  
45-151800**



Tegningsnummer	Beskrivelse	Varenummer
A	Multiportventil Komplet	43-130050
B	Topmøtrik	01-608000
B	Skive til møtrik	01-818080
C	Fladpakning	49-150033
F	Lateral center	49-150005
G	Tømmeventil til Ø800mm	49-150005-1
H	Lateralstøtte	49-150006
J	Støtterør	49-150035
K	Lateralrør til Ø800	49-150036
L	Manometer	49-150012
2	skive	49-150037
7	Fjeder	49-150042
8	O-ring til låg 2"	49-150038
9	O-ring for rotor 2"	49-150039
11	Stjernepakning 2"	49-150032
18	Adaptor med O-ring til Manometer	49-150030
21	Skueglas	49-150028
22	Pakning til Skueglas	49-050044
25	O-ring til Centerrør	49-150040

Reservedels tegning Welldana Ø800mm Sidemonteret  
45-160800



Tegningsnummer	Beskrivelse	Varenummer
E	Udluftnings Tee Komplet	49-150022
F	Manometer	49-150036
G	Spændering til låg	49-150023
H	Låg	49-150024
I	O-ring til låg	49-150025
L	Multiportventil 2"	43-130050
M	Tømmeventil	49-150005-1
O	Lateralrør Ø800	49-150036
3	Skive for 2" ventil	49-150037
6	O-ring Rotor	49-150041
7	O-ring for rotor 2"	49-150039
8	Fjeder for 2" ventil	49-150042
9	O-ring for Låg 2" ventil	49-150038
11	Stjernepakning for 2" ventil	49-150032
15	Adaptor med o-ring til Manometer	49-150030



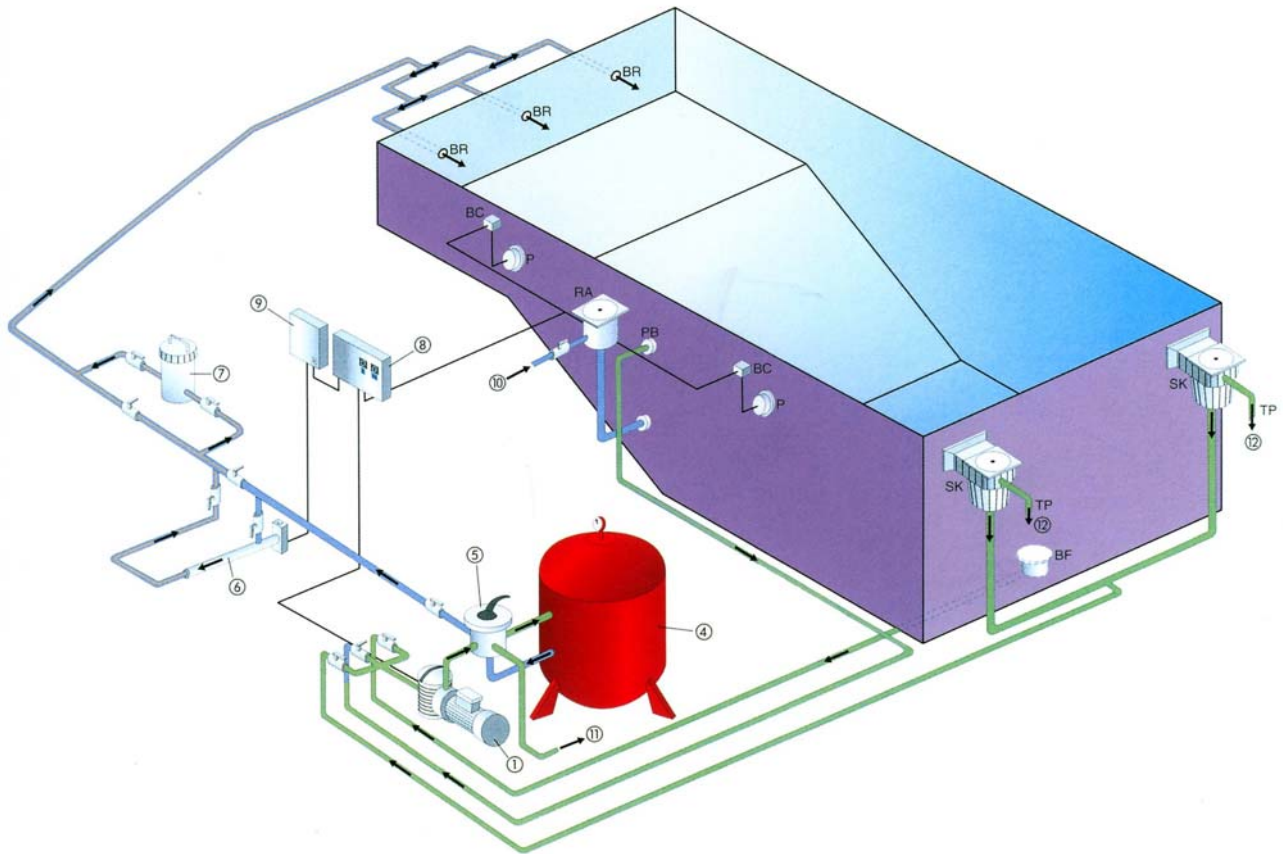
**Top mounted model.**



**Side mounted model.**



Principal drawing for sand filter installation for private pool.



Welldana A/S  
Denmark