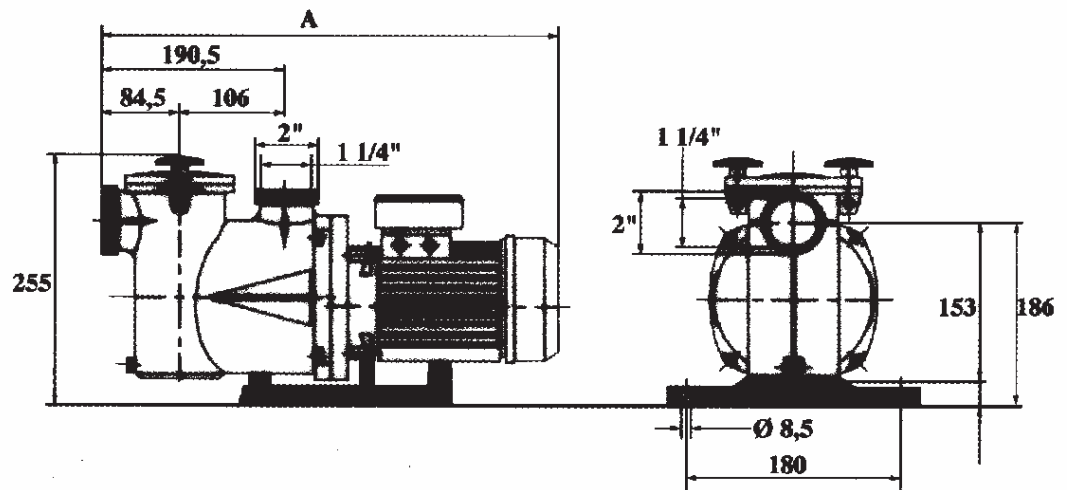


# POOL PUMPS

## POOL PUMPS

### NINFA® POOL PUMPS

Ninfa® centrifugal pool pump with prefilter. Made in thermosetted plastics reinforced with fibre glass. The product is CE marked. Class F. IP 54. 50Hz. 2850 rpm. Max water temperature 60°C. Max water pressure 2,5 bar.



Model	0,18 kW	0,25 kW
Volt.	230	230
Amp.	1.3	1.8
Cond.	12µF	12µF
Pipe connection	1¼ x 1¼	1¼ x 1¼

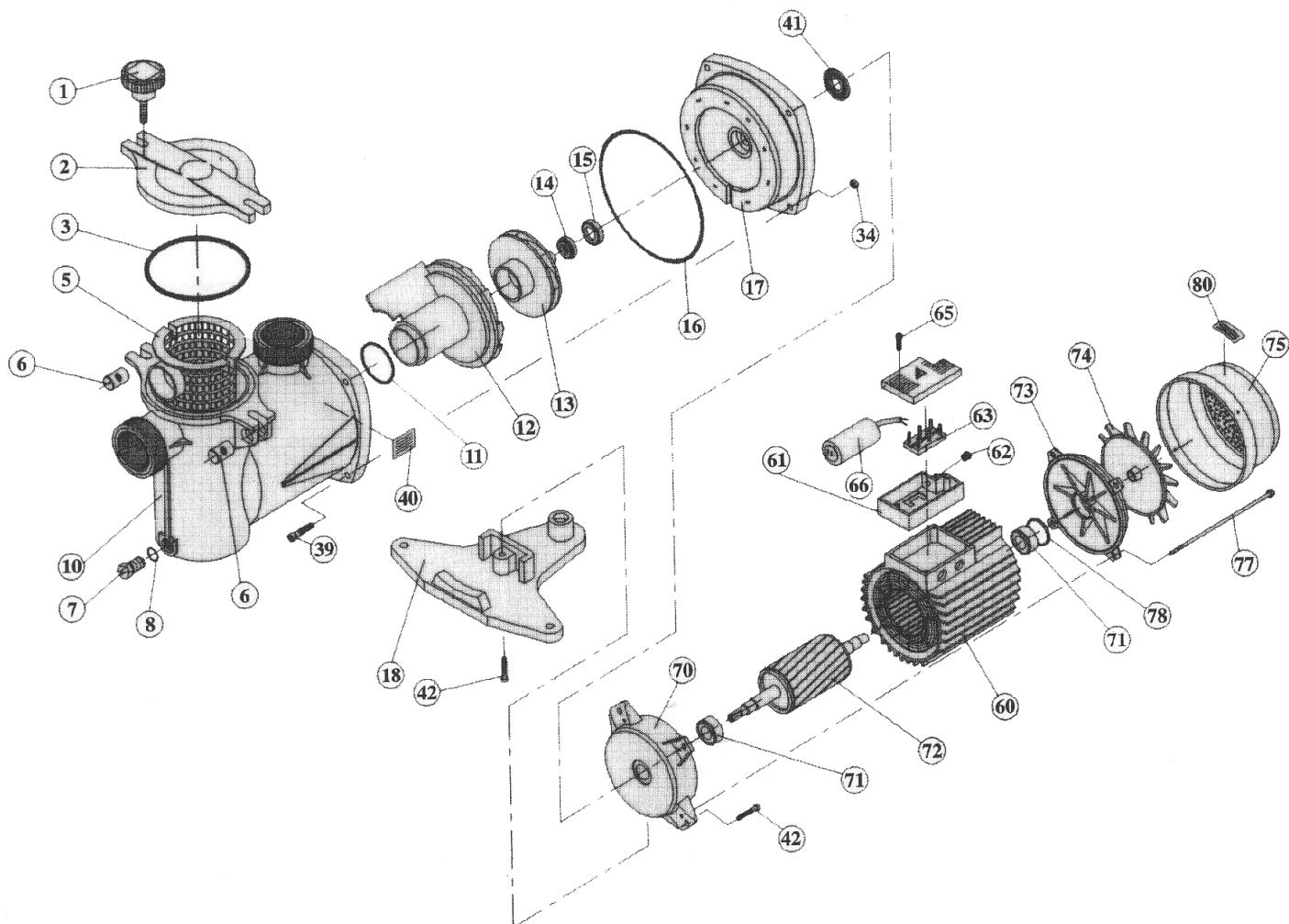
Measurement	0,18 kW	0,25 kW
A	422 mm	422 mm

Pump performance		
M³/h at 3 m	8	11
M³/h at 4 m	7.3	10.2
M³/h at 6 m	6	8.4
M³/h at 8 m	4	6.4
M³/h at 10 m	0.5	3.1
M³/h at 12 m	0	4

# POOL PUMPS

## NINFA® POOL PUMPS

Spare parts for Ninfa® filter pump.



Part number	Spare part number	
Type	0,20 kW	0,25 kW
01. Lid screv. M8	39-200100	39-200100
02. Lid	39-190102	39-190102
03. O-ring for lid	39-190103	39-190103
06. Nut pin. M8	39-200900	39-200900
13. Impeller	39-190132	39-190133
14+15. Seal set	39-190140	39-190140
17. Flange	39-190170	39-190170
66. Condensator	39-102214	39-102214
71. Bearings.	39-366202	39-366202

Information concerning other spare parts, please contact our sales department.