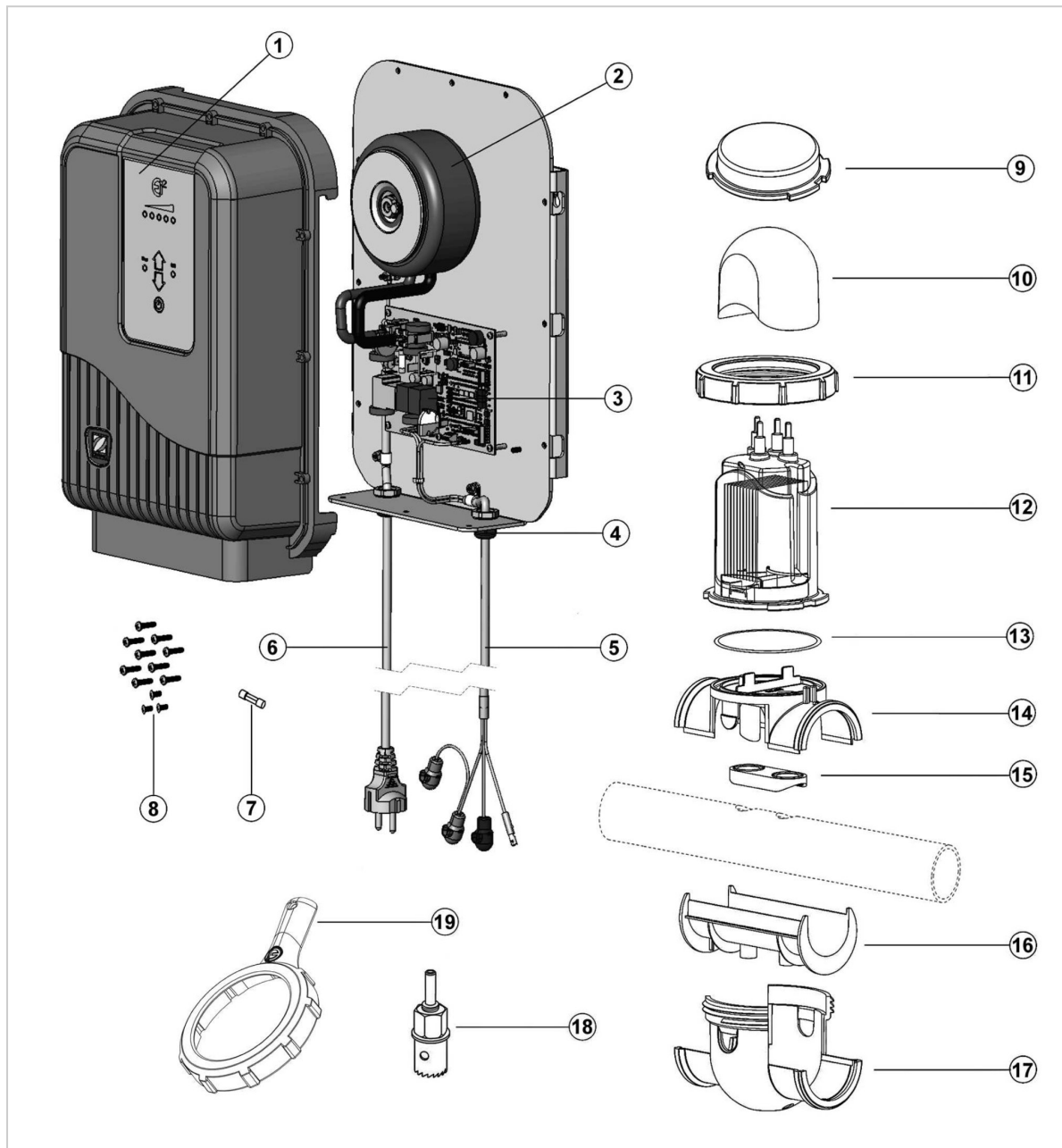


FLUIDRA

WW000244 - EI²

Revision no.: 0 | Date: 15-09-2023



 Piezas del despiece (kits o unitarios)

POS.	CÓDIGO	DESCRIPCIÓN
1	R0625400	COVER ASSEMBLY WITH LEXAN
2	R0609700	TRANSFORMER KIT

POS.	CÓDIGO	DESCRIPCIÓN
3	R0871600	POWER PCB (WITH THERMAL PASTE & SCREWS) - POOL COVER CONTACT VERSION
4	R0625700	CABLE GLANDS KIT (X2)
5	R0609800	CELL CABLE
6	R0625100	MAINS SUPPLY CABLE
7	W110201	M205 2.5 A T FUSE
8	R0609400	COVER SCREW SET (9 X M4/17 & 3 X M4/8)
9	R0770100	WINTERIZING CAP FOR CELL
10	R0768000	CELL CAP
11	R0768200	ELECTRODE TIGHTENING RING
12	R0673600	COMPLETE EI² 12 ELECTRODE
13	R0738500	ELECTRODE O-RING
14	R0767900	SADDLE CLAMP TOP
15	R0767800	FLAT HOSE JOINT 1 ½" (UK)
15	R0769700	FLAT HOSE JOINT DN50 MM & DN63 MM (EU)
16	R0770200	UK PIPE ADAPTER (1 ½")
16	R0770000	EU PIPE ADAPTER (DN50 MM)
17	R0768400	SADDLE CLAMP BOTTOM
18	R0797300	HOLE SAW 22 MM FOR PIPE DRILLING
19	R0769900	LOCKING RING WRENCH (NOT INCLUDED IN THE PACK)

© 2024 Fluidra. All rights reserved. All trademarks and trade names used in this document are the property of their respective owners | [Privacy Policy](#) | [Disclaimer](#) | [Cookies](#) | [Quality management](#)