

E30iQ

CONNECTED AND ENERGY EFFICIENT

1 GUARANTEED ENERGY SAVINGS

Thanks to its variable speed, the E30iQ pumps can operate longer at a lower speed, reducing electricity consumption by up to 80%. With its 3 programmable speeds, ranging from 40 to 100% of full speed, you can adapt the pump to the needs of your pool while optimizing your power consumption.

2 SILENT OPERATION

The E30iQ pumps are up to 12 dB^(A) quieter than a standard filtration pump*.

3 FULL CONTROL ANYWHERE, ANYTIME

With its embedded connectivity and its new LCD control screen, setting and controlling your variable speed pump becomes easy. Paired with the iAquaLink[®]+ app benefits from upgraded and even more user-friendly control anywhere and anytime, including software updates.



**ENERGY
SAVING**



**LOW NOISE
LEVEL**

**iAquaLink[®]
CONTROL**

BENEFITS OF THE ZODIAC PLATFORMS



**EASY
RETROFIT**

Easy to install, even as a replacement

Thanks to the "Easy Retrofit" system, pumps can be installed without changing the piping. So, they are compatible with most existing installations.



**LARGE
CAPACITY**

Easy maintenance

A pre-filter basket that is up to 117% larger means more debris can be captured before the filter needs to be cleaned.

* E30iQ 100 compared to a standard filtration pump emitting at least 61 dB(A). Values expressed in A-weighted acoustic power level.

BENEFITS



BUILT-IN LCD SCREEN

Easy setting of the pump.
Timer and priming functions included.



EMBEDDED CONNECTIVITY

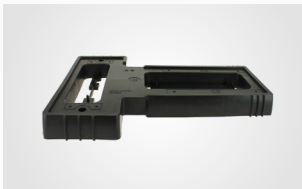
With your smartphone, you can remotely set, control and update E30iQ pumps.

STANDARD FEATURES

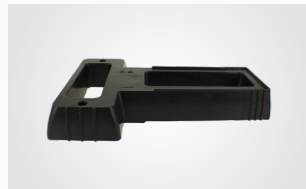


63/50 mm
union tailpieces

ACCESSORIES



Thin pump base



Thick pump base

FOR WHICH TYPE OF POOLS?

1 ALL TYPES OF SWIMMING POOL



2 POOLS UP TO 120 M³



3 SUITABLE FOR ALL TYPES OF WATER TREATMENT

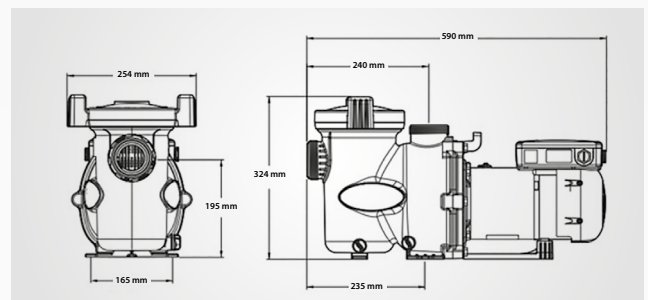


TECHNICAL INFORMATION

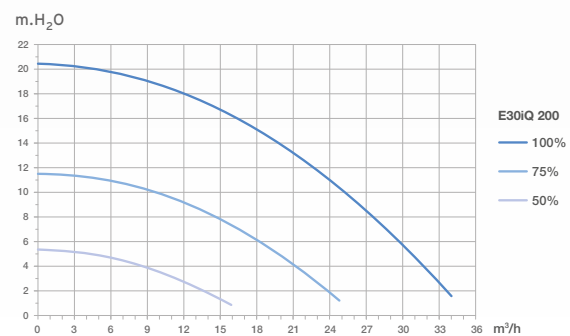
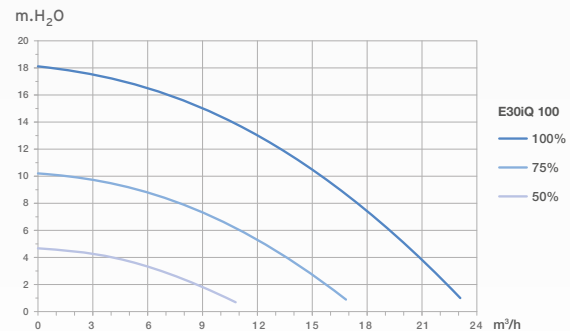
Model	E30iQ 100	E30iQ 200
User interface	1-line LCD screen (white)	
Speeds	3 programmable speeds. Factory settings: ECO (50%), CLEAN (75%) & BOOST (100%)	
Usage	Fresh water and salt water up to 6 g/L (6000 ppm)	
Power output (P2)	1,0 HP / 0,75 kW	2,0 HP / 1,5 kW
Flow rate at 10 m head	15,4 m ³ /h (at 100%)	25 m ³ /h (at 100%)
Maximum flow rate	23 m ³ /h	34 m ³ /h
Maximum Manometric head	18 m	20,4 m
Pre-filter basket volume	2,6 L	
Motor type	Synchronous motor (ECM* technology), TEFC**, class F insulation	
Power supply	230 VAC - 50/60 Hz	

* ECM = Electronically Commutated Motor (= electronically controlled permanent magnet 'brushless' motor)

** Totally-Enclosed Fan-Cooled



PERFORMANCE GRAPHS



© Photo credits: ZODIAC®

3 YEARS
OF WARRANTY

