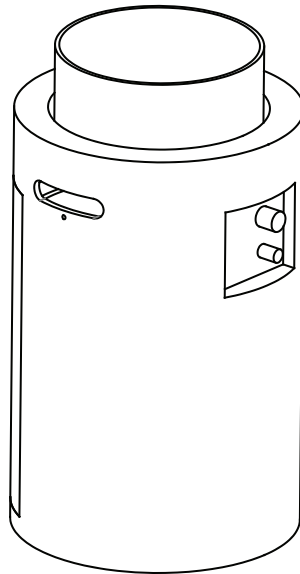
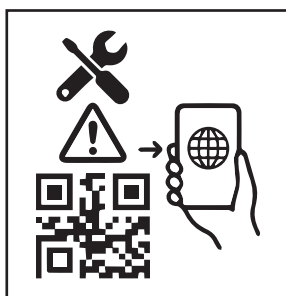

Assembly Instruction and Safety Guide

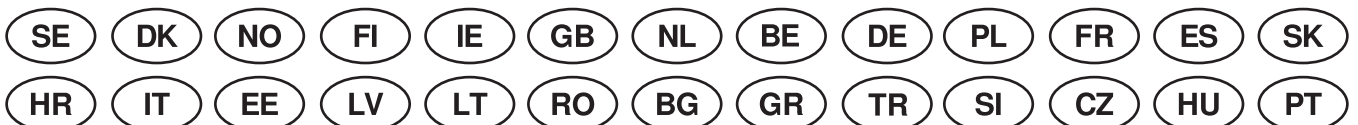


Description: Kea Fire Pit Standing Ø41x64 cm - Grey
Article number: 9923-300

Thank you for purchasing this product!



Scan the QR code to access
instructions in your language



FR

Donnez ou recyclez
vos meubles.



Association

ou



Magasin

ou



Déchèterie

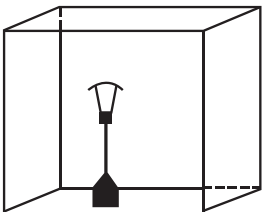
<https://quefairedemesdechets.fr>



PAP
RACCOLTA
CARTA



Conformity and Standards	This appliance complies with the essential requirements of the Gas Appliances Regulation (EU) 2016/426. It has been designed and tested in accordance with the following harmonized standards: EN 14543-Outdoor gas heating appliances EN 16129-Pressure regulators and associated safety devices The appliance is CE marked and intended for use in the countries listed in this manual, under the specified gas categories and pressures			CE 1336/25
Appliance name	Gas fire pit			
Model No	FR02-02-A1			
Heat input	8.5 kW			
Gas category	I3+(28-30/37)	I3B/P(30)	I3B/P(37)	I3B/P(50)
Types of gas	G30/G31	G30/G31	G30/G31	G30/G31
Gas pressure	butane: 28-30 mbar propane: 37 mbar	30 mbar	37 mbar	50 mbar
Country of Destination	BE, CH, CY, CZ, ES, FR, GB, GR, IE, IT, LT, LU, LV, PT, SI, SK	AL, BG, CY, DK, EE, FI, FR, HU, HR, IS, IT, LT, LU, MT, MK, NL, NO, RO, SK, SI, SE, TR	PL	AT, CH, DE, SK
Burner injector	1.45 mm		1.37mm	1.28 mm
Gas consumption (g/h)	G30: 618 g/h ; G31: 607 g/h			
PIN NO. : 1336DM026				



This appliance must be installed in accordance with the rules in force, and used only in a sufficiently ventilated space. Consult instructions before installation and use of this appliance.

WARNING: THIS APPLIANCE HAS A NAKED FLAME, A SUITABLE GUARD SHOULD BE USED FOR THE PROTECTION OF YOUNG CHILDREN, THE ELDERLY AND THE INFIRM.

Be careful, accessible parts may be very hot. Keep away from young children



Safety Overview

- For **outdoor use only** in well-ventilated areas (min. 25% open wall surface).
- **Do not use in enclosed spaces** – risk of carbon monoxide poisoning.
- **Hot surfaces** – keep children and vulnerable individuals at a safe distance.
- Appliance has **open flame** – use protective guard if needed.
- **Close gas valve after use** and before moving the appliance.
- **Read full instructions** before installation and use.



Important Safety Information – For Outdoor Use Only

Thank you for choosing our outdoor gas fire pit. This product is manufactured using high-quality, eco-friendly materials under strict quality control standards. Please read this manual carefully before installation and use.

This appliance is intended exclusively for outdoor use in well-ventilated areas. Improper use may result in serious injury or fire hazard.

1. **Read all instructions carefully** before installing or operating the appliance. Retain this manual for future reference.
2. **Warning:** Accessible parts may become extremely hot during use. Keep children and vulnerable individuals at a safe distance.
3. **Always close the valve** of the gas tank or regulator after use, and before moving the appliance.
4. **Do not move the appliance** while it is in operation.
5. Use only in **open or well-ventilated spaces**. Enclosed areas are strictly prohibited due to risk of carbon monoxide poisoning.
6. A well-ventilated area must have **at least 25% of the total wall surface open** to allow sufficient airflow.
7. **Do not obstruct ventilation openings** in the appliance housing.
8. **Use only the type of gas and components** specified by the manufacturer.
9. In case of **strong winds**, take extra precautions to prevent the appliance from tipping over.
10. **Do not use** this appliance in enclosed spaces such as tents, garages, or covered patios.

Important Safety and Handling Instructions

Gas Installation and Handling

1. Always change the gas tank in a well-ventilated area, away from ignition sources such as candles, cigarettes, or open flames.
2. Ensure the regulator seal is properly fitted and functioning.
3. Close the gas supply valve after each use.
4. In case of gas leakage, do not use the appliance. If already lit, shut off the gas supply immediately and have the appliance inspected and repaired before reuse.
5. Inspect the hose monthly and whenever the cylinder is changed. Replace it if there are signs of wear, cracking, or damage.
6. Check all gas connections regularly for tightness and leaks.
7. Keep the area around the appliance free from combustible materials, gasoline, and flammable vapors.
8. Do not use the appliance if any part has been submerged in water. Contact a qualified technician for inspection and replacement of affected components.

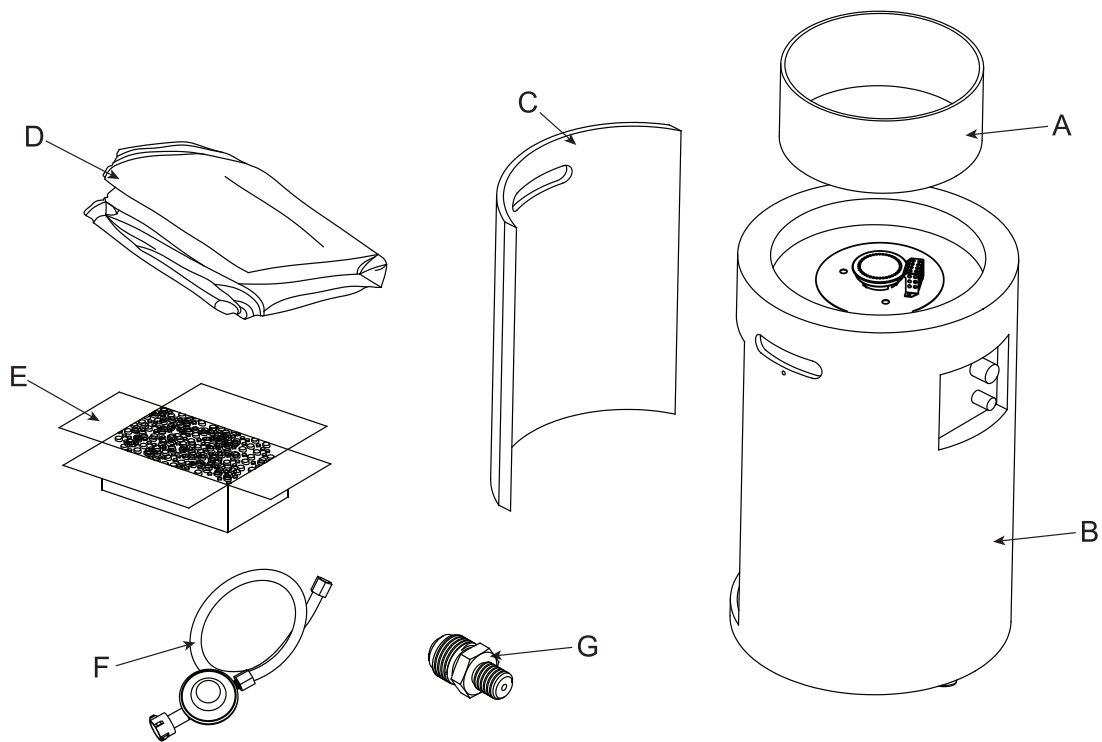
Child and Fire Safety

9. Warn children and adults about hot surfaces to prevent burns or clothing ignition.
10. Supervise young children near the appliance at all times.
11. Do not hang clothing or place flammable materials on or near the appliance
12. Replace any protective guards or covers removed during servicing before operating the appliance.
13. Maintain a safe distance of at least 3 meters from flammable objects, buildings, or vegetation.
14. Never use gasoline, kerosene, or other liquid fuels to start a fire.
15. Always supervise the fire while in use and never leave it unattended.
16. Allow the appliance to cool completely before touching or moving it.

Maintenance and Usage

17. Installation and repairs must be performed by a qualified service technician.
18. Inspect the appliance before use and at least annually. Clean more frequently if needed.
19. Keep burners, control compartments, and air passageways clean.
20. Do not burn solid fuels in this appliance.
21. This appliance is intended for warming purposes only.
22. Do not use on wood decks or other flammable surfaces.
23. Not suitable for use in or on recreational vehicles or boats.
24. Before each use, inspect the hose and burner. Replace damaged parts with those specified in this manual.
25. Position the hose to avoid tripping hazards or accidental damage.
26. Keep the fuel hose away from heated surfaces.
27. During first use, preheat lava rocks for 15 minutes to remove moisture and impurities.

Specifications



NO.	Description	Q'TY
A	glass shield	1 pc
B	fire pit body	1 pc
C	door	1 pc
D	weather cover	1 pc

NO.	Description	Q'TY
E	lava rocks 1.9 kg	1 pc
F	regulator with hose (Germany)	1 pc
G	injector 1.28	1 pc

Assembly Instructions

Before starting assembly, carefully unpack all components and verify that all listed parts are present and undamaged. Do not attempt to assemble the product if any part is missing or defective—contact customer service for assistance

1. Ensure the gas control knob is in the “OFF” position before proceeding (see Figure 1).
2. Use a **flexible hose shorter than 50 cm** and a **regulator that complies with EN16129**
3. Place the gas tank inside the fire pit base. Connect the regulator to the tank valve and tighten securely.(see Figure 2)
4. Insert the glass shield (A) into the top supports of the fire pit body (B). (see Figure 3).

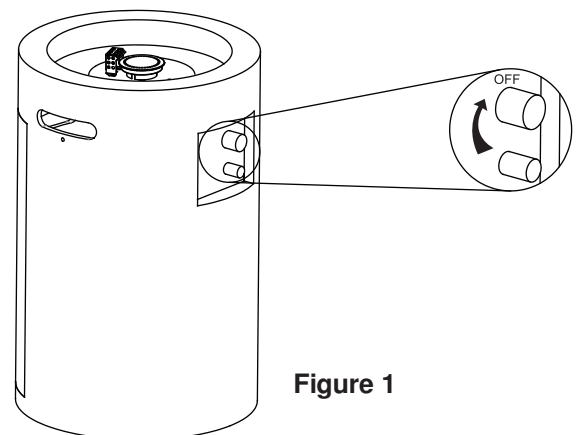


Figure 1

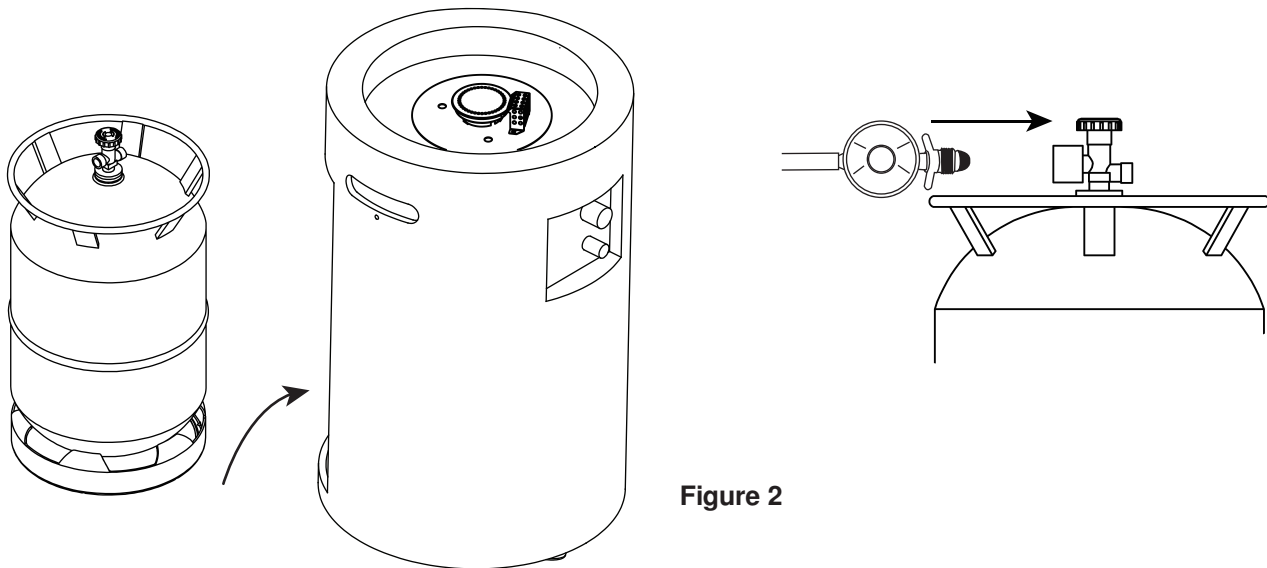


Figure 2

5. Pour the lava rocks (E) into the fire bowl. (see Figure 4)

Warning: Keep children away during assembly. Lava rocks are small and may pose a choking hazard.

NOTE: Do not cover the pilot box with lava rocks.

6. Once the fire pit is **completely cool**, cover it with the weather cover (D) to protect it from the elements. (see Figure 5)

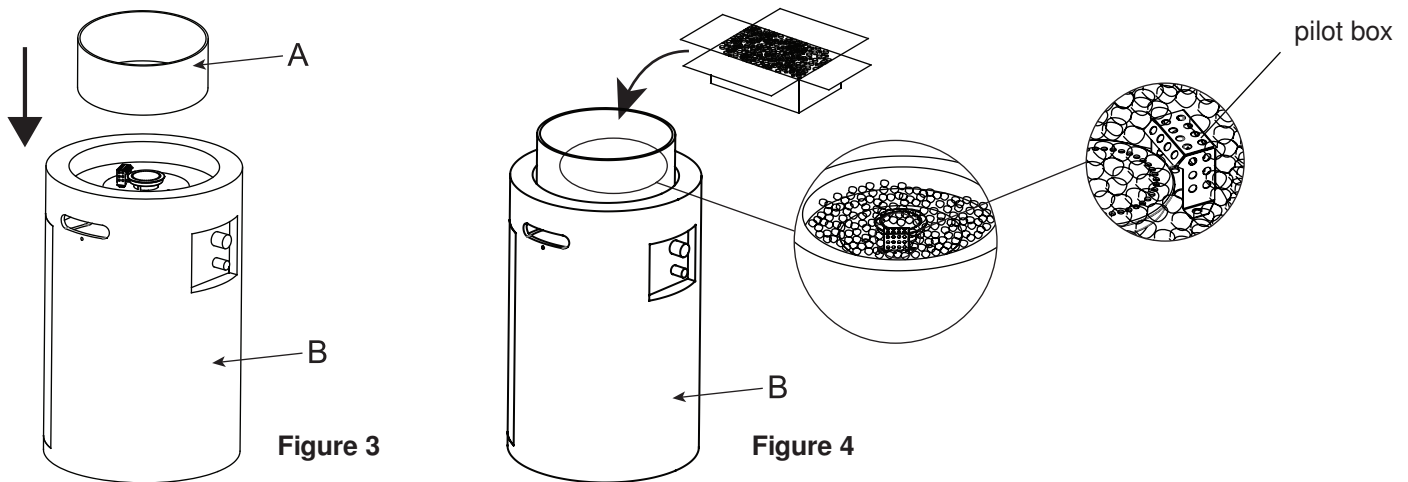


Figure 3

Figure 4



First-Time Use Precautions

Natural lava rocks may crackle or pop during initial use due to residual moisture. To minimize risk:

- Do not stand over or near the fire pit during first ignition.
- Run the fire pit on **high** for **20 minutes**.
- Maintain a distance of **at least 12 feet** during this period.
- After the first heating cycle, crackling is unlikely to recur.
- Keep lava rocks **dry and covered** when not in use.
- If rocks become moist again, run the burner on **low** to dry them gradually before repeating steps 1–3.

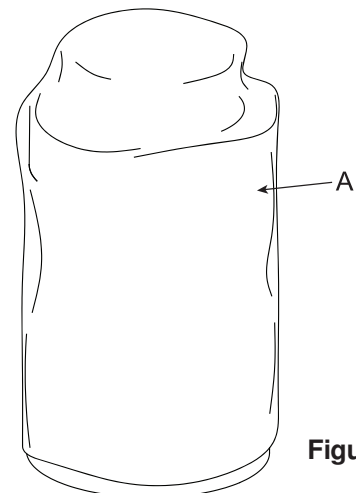


Figure 5

Battery Installation and Safety

The ignitor module requires **one AAA battery** (see Figure 6).

NOTE: Battery is **not included**.

1. Ensure the **control knob is in the “OFF” position**.
2. Unscrew the push-button cap on the ignitor module located on the control panel to access the battery compartment.
3. Insert the battery, observing **correct polarity**. Improper installation may result in ignition failure. ⚠
4. Remove the battery if it is depleted or if the product will be unused for an extended period.

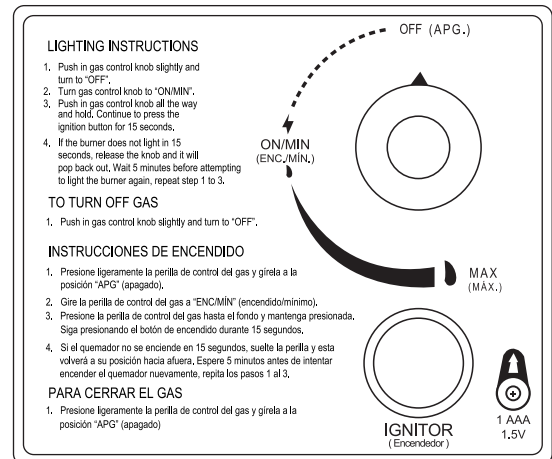


Figure 6

Leak Test Instructions

To prevent fire or explosion hazards, always perform a leak test before lighting the appliance or each time the gas cylinder is connected.



Safety Precautions

1. Conduct the leak test outdoors in a well-ventilated area.
2. Do not smoke or allow any ignition sources nearby during the test.
3. Never use matches, lighters, or open flames to check for leaks.
4. Do not use the appliance until all leaks are corrected.

If a leak cannot be stopped, disconnect the propane supply and contact a qualified gas appliance technician or your local supplier

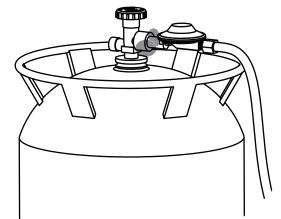


Figure 7

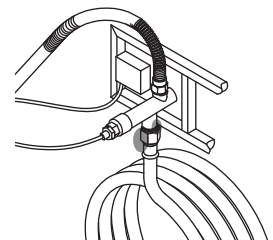


Figure 8

Performing the Leak Test

1. Mix **2–3 oz. of leak solution** using one part liquid dishwashing detergent and three parts water.

NOTE: Ensure the control knob is in the **“OFF”** position.

2. Apply several drops of the solution to the connection between the **gas tank valve and the regulator** (see Figure 7).

- If **no bubbles** appear, the connection is secure.
- If **bubbles appear**, disconnect and reconnect the regulator, then repeat the test.
- If bubbles persist, the **cylinder valve may be defective** and should be returned to the supplier.

3. Apply solution to the connections between:

- **Hose and appliance gas inlet** (see Figure 8)
- **Regulator and hose** (see Figure 9)
- Follow the same bubble-check procedure as above.
- If leaks persist, the part is defective and must be replaced.

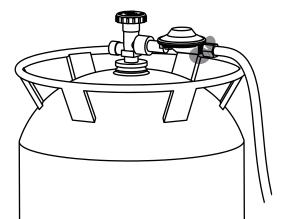


Figure 9

Lighting and Shutdown Instructions

Follow these steps to safely ignite and turn off the fire pit.:

Lighting the Fire Pit

1. Ensure the **gas control knob** is in the “**OFF**” position.
2. Turn the knob to the “**ON/MIN**” position.
3. Push the knob **in fully** and hold it down. While holding, press the **ignition button** continuously for **15 seconds**.
4. If the burner does not ignite within 15 seconds, release the knob and allow it to pop back out.
5. Wait **5 minutes** before attempting to relight the burner. Then repeat steps 1–3.

Turning Off the Gas

1. Push the **gas control knob** in slightly and turn it to the “**OFF**” position.



Safety Warning

For your safety, always follow the **Lighting Instructions** provided in this manual and on the **Rating Plate** attached to the appliance. **Improper lighting procedures** may result in **fire or explosion hazards**, causing **property damage, injury, or loss of life**.

Fire Pit Care & Maintenance Guide

To ensure your fire pit performs at its best and remains safe to use, follow these regular maintenance steps:

1. Cleaning

- Use **warm water and mild soap** to clean the fire pit.
- **Do not use** flammable or corrosive cleaning products.

2. Protect the Gas Control Valve

- Keep the area around the **burner dry** during cleaning.
- **Never submerge** the control valve assembly in water. If the gas control gets wet, **do not use it** — it must be replaced.

3. Ensure Proper Airflow

- Make sure air **passages, controls, and the burner** are clean and unobstructed.
- Watch for signs of blockage:
 - o Strong **gas odor** and **yellow-tipped flames**
 - o Fire pit **does not reach desired temperature**
 - o Flame is **uneven**
 - o Fire pit makes **popping noises**
 - o **Spiders or insects** nesting in the burner or injector — this is dangerous and can damage the fire pit. Use a **heavy-duty pipe cleaner** or **compressed air** to clean burner holes.

4. Remove Carbon Deposits

- Carbon buildup can be a **fire hazard**.
- Clean the burner with warm soapy water if deposits appear.

5. Weather Protection

- When not in use, **cover the fire pit** with a weather-resistant outdoor cover.
- **Important:** Always allow the fire pit to **cool completely** before covering or performing any maintenance.

Environmental Information



This product should not be disposed of with household waste. Please follow local regulations for recycling of the appliance, packaging materials, and battery. The battery must be disposed of properly at designated collection points.

Warranty Information

Fire Pits

The burner, steel fire pit bowl, and all mechanical parts and fittings connected to the control panel and burner assembly are covered by a one (1) year warranty from the original date of purchase.

This warranty covers defects in materials and/or workmanship.

Note: Rust is not covered under this warranty.

Frames

Frames are warranted to be free from defects in materials and workmanship for one (1) year.

Not covered:

- Damage due to improper assembly
- Exposure to water or freezing temperatures
- Breakage caused by dropping, natural disasters, war, or other external forces

Finish

The finish is warranted against peeling, cracking, or blistering for one (1) year, provided the product has not been scratched or abraded.

Not covered:

- Scratches and chips from normal wear and tear
- Fading due to weather exposure
- Stains from chemical spills or food items

Table Tops

Table tops are warranted for one (1) year from the original purchase date against defects in materials and/or workmanship.

Not covered:

- Breakage
- Discoloration
- Staining
- Weather-related damage

Warranty Exclusions

This warranty does not cover:

- Damage from abusive or unreasonable use
- Clearance items, display models, or products sold "as is"
- Damage from freight, natural disasters, vandalism, fire, or lack of maintenance
- Improper assembly
- Normal fading or discoloration from exposure to elements, oils, spills, or chemicals
- Table top breakage
- Hardware corrosion or rust
- Buckling or splitting of tubing due to water exposure and freezing
- Glass table tops, replacement parts, and plastics
- Loss of time, money, travel, packaging, or other incidental/consequential damages

Additional Terms

- Warranty applies only to the original purchaser and only if purchased from an authorized retailer.
- Warranty is non-transferable.
- All claims must be submitted with a dated receipt within the warranty period.
- If the original item is unavailable, the company reserves the right to substitute with a similar item in style, color, and quality.
- For verification, photographs of the damaged item(s) may be requested.
- Warranty terms are subject to change without notice.

Contact / Kontakt / Kontaktinformation

Manufacturer / Hersteller / Tillverkare: Venture Design AB

Address / Adresse / Adress: Deltavägen 12, 352 45 Växjö, Sweden

Phone / Telefon / Telefon: +46 (0)470-554000

Email / E-Mail / E-post: info@venturedesign.se

Website / Webbsite / Webbplats: www.venturedesign.se